



# VANAD 500

## USER'S MANUAL

IGS Audio Igor Sobczyk  
UL. 3 Maja 76d, 41-400 Mysłowice, Poland  
e-mail: [igs@o2.pl](mailto:igs@o2.pl) ph: +48 601 597 592

[www.igsaudio.com](http://www.igsaudio.com)

Please read all of the following instructions and save them or later reference before attempting to connect this unit to the Power DC Supply.

**COVERS**

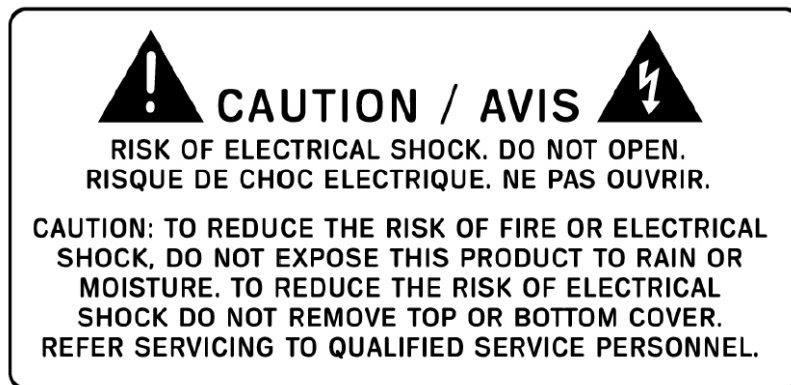
**DO NOT** remove the covers or try to repair the module on your own. Refer servicing to qualified personnel only.

**MOISTURE**

**DO NOT** expose the unit to rain or moisture. If the unit should become so exposed **TURN OFF** the device immediately.

**HEAT**

**ALWAYS** site the unit away from sources of heat including direct sunlight and ensure adequate ventilation around the unit.



Copyright 2014. All rights reserved.

The information in this document is subject to change without notice.

IGS Audio makes no warranty of any kind with respect to the material in this document and shall not be liable for errors contained herein or for incidental or consequential damages related to the use of the material.

Manual revision: 1.0 (may 2014)



**Thank you for buying this IGS Audio product.**

Please read the information provided below very carefully before using your IGS unit.

### **Unpacking**

Your VANAD 500 has been carefully and meticulously tested and inspected before dispatch. Please check for any signs of transit damage. If any signs of mishandling are found please notify the carrier and your dealer immediately.

Your VANAD 500 packing should contain an VANAD 500 with IGS Audio tag (packed in ESD bag) and this manual with the Warranty and RoHS/CE/WEEE Declaration attached.

### **Compatibility and Power**

The VANAD 500 module is designed to be installed into an API™ 500 Series compatible rack and cannot function stand alone, requiring the power source supplied by the rack system. The current consumption of the VANAD 500 is rated at 110 miliamperes per slot. Please check with the rack manufacturer that the design can meet this rating.

### **Mounting**

**WARNING!** Never plug or unplug any 500 series module with the power supply switched on. You may destroy your unit permanently!

The dimensions of all IGS Audio 500 series modules are compatible with API standard. When plugging your new unit to the 500-series rack, no unnecessary force is needed. However, please be careful and do not rush while pushing the unit into the rack sockets, to avoid damaging of the connectors and/or the PCBs of either the unit or the rack.

After the unit is placed in the rack, use the screws provided with your 500-series rack unit to make sure that the unit is safely placed.

When removing the unit from the rack, unscrew the front panel from the rack, and use your fingers to pull it out gently. Do not use any sharp objects (i.e. knives or screwdrivers) to prize it.

## IGS AUDIO VANAD 500 – Optical Compressor

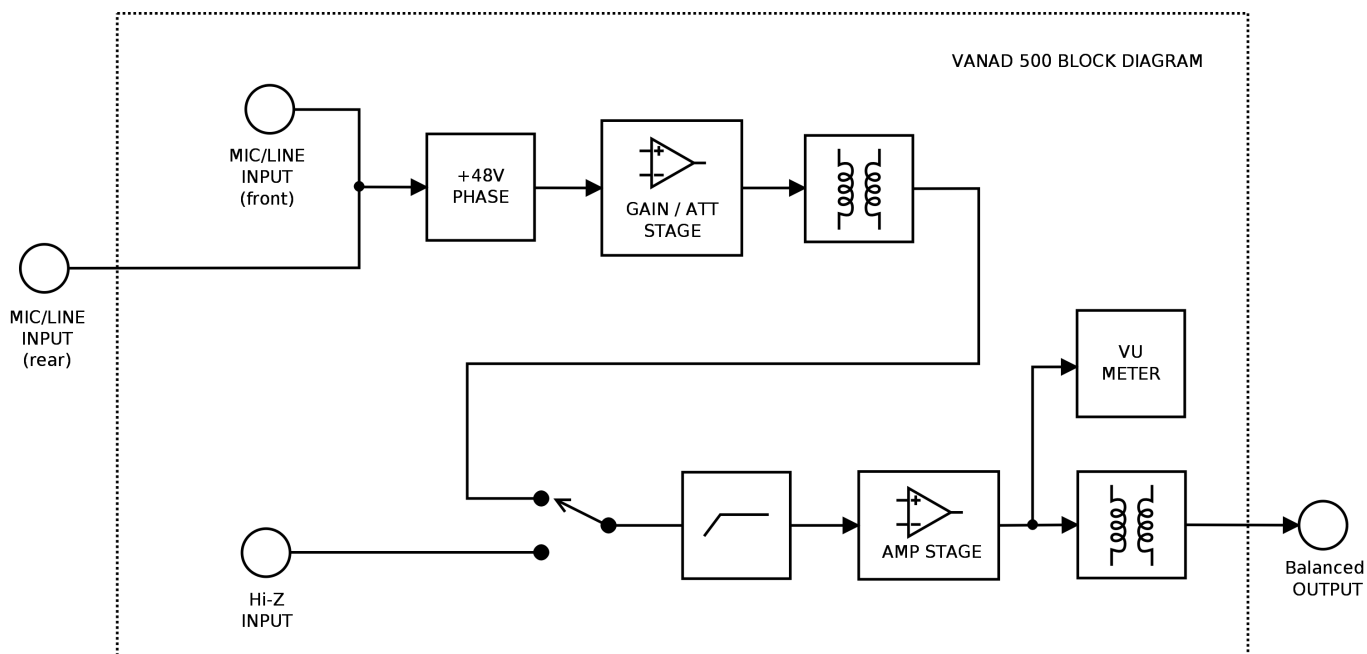
VANAD 500 is a mic/instrument preamp designed in the API 500 standard. The module is transformer balanced on inputs and outputs using Carnhill transformers. All regulators on the front panel are stepped (switches).

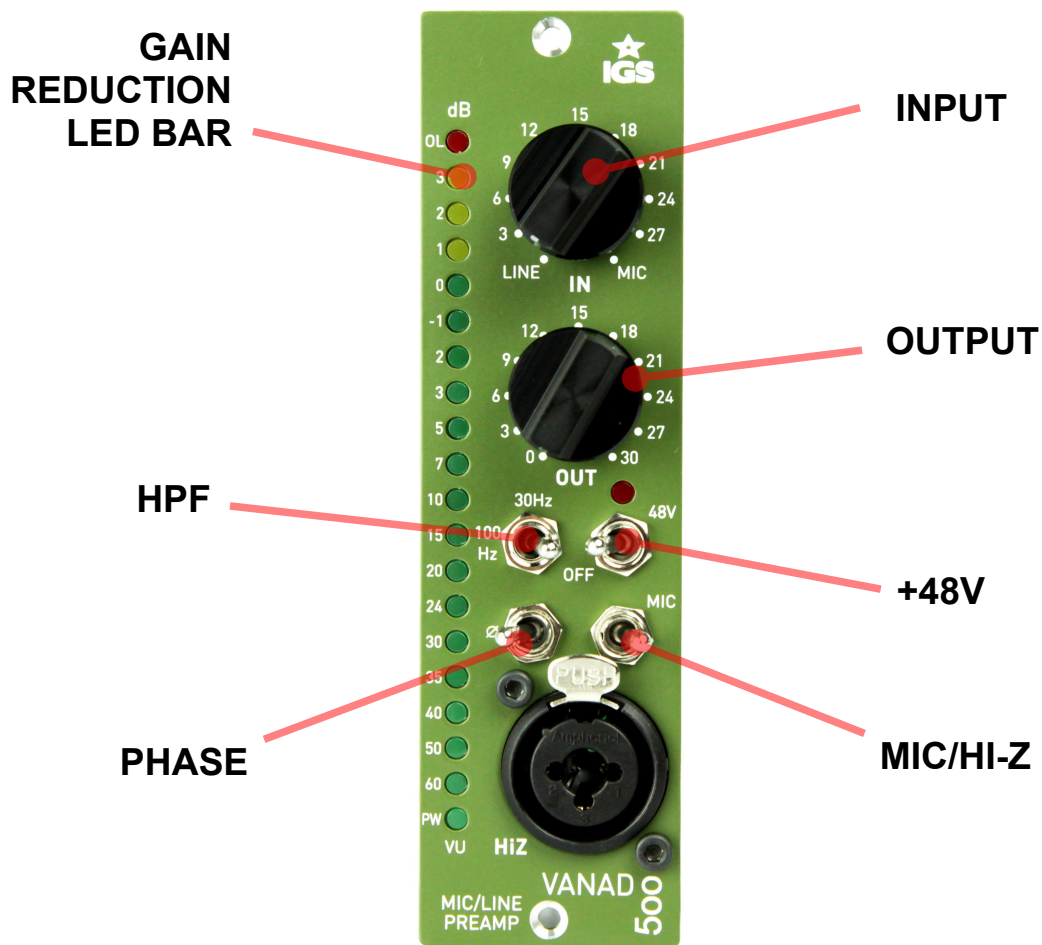
This is an excellent preamplifier, that can be used with variety of sources: line signals, guitar pickups (via Hi-Z input), dynamic, condenser and ribbon microphones. Always providing outstanding results.

### Typical usage:

- Sound recordings
- Guitar line recordings
- Reamping

### Block diagram





**INPUT** input level: from 0dB(Line) to +30dB(Mic); step = 3dB

**OUTPUT** output level: from +0dB to +30dB; step = 3dB

**+48V** phantom power: ON/OFF

**PHASE** phase reverse: ON/OFF

**HPF** 6dB/Oct high pass filter: OFF/30/100Hz

**MIC/HI-Z** input: HiZ(front)/XLR(rear)

### **VANAD 500 main functions and technical specification:**

- ✓ 500-series mono module
- ✓ Preamp Mic/Line/HiZ
- ✓ All stepped manipulators
- ✓ Precise LED bar scale
- ✓ Carnhill input and output transformers
- ✓ Phantom power +48V
- ✓ Phase reverse
- ✓ 3 year warranty

Operating Level	+4dBu
Maximum Output (line)	+20 dBu
Maximum Output	+22 dBu
Maximum Gain	60dB
PAD	-30 to 0 dB, step 3dB
HPF	OFF, 30, 100 Hz
Input impedance	1,2 kOhm
Output Impedance	600 Ohm
Frequency response	8Hz to 20kHz; +/- 0.1dB
Noise level dBA	-99dB
THD+N @0dBu	up to 0.2%
Power consumption	3 Watts
Shipping weight	0.9kg
Dimensions	H 13,3cm x W 3,8 cm x D 15,8cm

## Troubleshooting

### **My unit doesn't light up (LED bar is dark):**

- Please check if the rack power supply is on (check the LEDs at the front plate of the rack).
- Make sure that the signal source (i.e. the microphone) is properly connected to the module
- Adjust the gain level (using the Input knob); insufficient gain level might cause that the signal level is below the LED bar threshold
- if you are using a condenser microphone, make sure that the phantom power is turned on (use 48V switch at the front of the unit; the red LED will glow)

### **No signal plays thru the unit, regardless the settings at the front panel:**

- Please check the cables connecting the rack.
- if you are using a condenser microphone, make sure that the phantom power is turned on (use 48V switch at the front of the unit; the red LED will glow)
- Please, make sure that you are NOT using front and rear XLR inputs simultaneously. Only one of them can be occupied at the time.

## **Warranty:**

**This device is declared to be free from defects in material and workmanship for a period of three years. Any device found defective within three years from the delivery date and returned to the factory, will be repaired, adjusted, or replaced and sent to the customer with no charge. The customer always pays the shipping cost to us. This warranty does not cover expendable items such as tubes or fuses. If the defect has been caused by a misuse or abnormal operation conditions, the repair will be billed at a nominal cost. The product should be returned in its original package, if this is possible, or packed in such a way that it is not damaged during the shipment. We are not to be held responsible for any damages during the shipment. 19" units shall always be packed in a box with support for the rack ears. All 500 series modules need to be secured in ESD bag and protected with foam. We will charge the customer €20 + VAT if the packing material needs to be replaced. If we find that the product works perfectly, the customer will be invoiced €50 + VAT to cover our costs of examination and handling plus the cost for returning the product to the customer.**



[www.igsaudio.com](http://www.igsaudio.com)